



### BZE6-RQ8X2



*Actual product appearance may vary.*

**Enclosed Switches Series E6: Top Roller Plunger Actuator; 1NC 1NO SPDT Snap Action; 0.5 in - 14NPT conduit**

#### Features

- Side or flange mount
- Momentary or maintained contact
- Grounding screw
- High capacity (22 amp) available
- Temperature range -32 °C to +71 °C [-25 °F to +160 °F]
- Zinc Die-Cast housing NEMA 1
- UL Recognized, file #E12252
- CSA Certified, file #LR41372
- NEMA 1 /IP40
- Pre-leaded or connector termination options

#### Potential Applications

- Packaging equipment
- Special machinery
- Textile machinery
- Conveyors
- Construction machinery and equipment
- Printing trades machinery
- Overhead cranes and hoists

#### Description

MICRO SWITCH™ E6 (side mount) and V6 (flange mount) switches are offered with or without actuator seal boots. Both have a combination insulator/seal cemented inside the bottom enclosure. Lead washers are used to seal the mounting holes on side mount switches. All side mount switches are installed with #6 screws, except the BZE6-2RN7 (#8 screws). Removal of the bottom enclosure exposes the terminals for easy wiring.

Product Specifications	
Availability	Global
Operating Force (O.F.)	1,67 N to 2,64 N [6 oz to 9.5 oz]
Pretravel (P.T.)	0,30 mm [0.012 in] max.
Overtravel (O.T.)	3,55 mm min. [0.140 in min.]
Product Type	Enclosed Switches
Actuator	Top Roller Plunger
Circuitry	1NC 1NO SPDT Snap Action
Ampere Rating	15 A Ind./0.5 A Res./0.25 A Res.
Supply Voltage	125 Vac, 250 Vac, 480 Vac/125 Vdc/250 Vdc
Housing Material	Zinc Die-Cast
Termination Type	0.5 in - 14NPT conduit
Housing Type	Split Housing, Side Mount
Series Name	E6/V6
Sealing	NEMA 1 /IP40
Approvals	UL recognized, CSA certified
CSA File #	LR41372
UL File #	E12252
Operating Temperature Range	-32 °C to 71 °C [-25 °F to 160 °F]
Comment	Without seal boot on plunger, Roller parallel to long axis of switch
UNSPSC Code	302119
UNSPSC Commodity	302119 Switches and controls and relays
Sealed	Industrial

**MICRO SWITCH**

FREEPORT, ILLINOIS U S A  
A DIVISION OF HONEYWELL

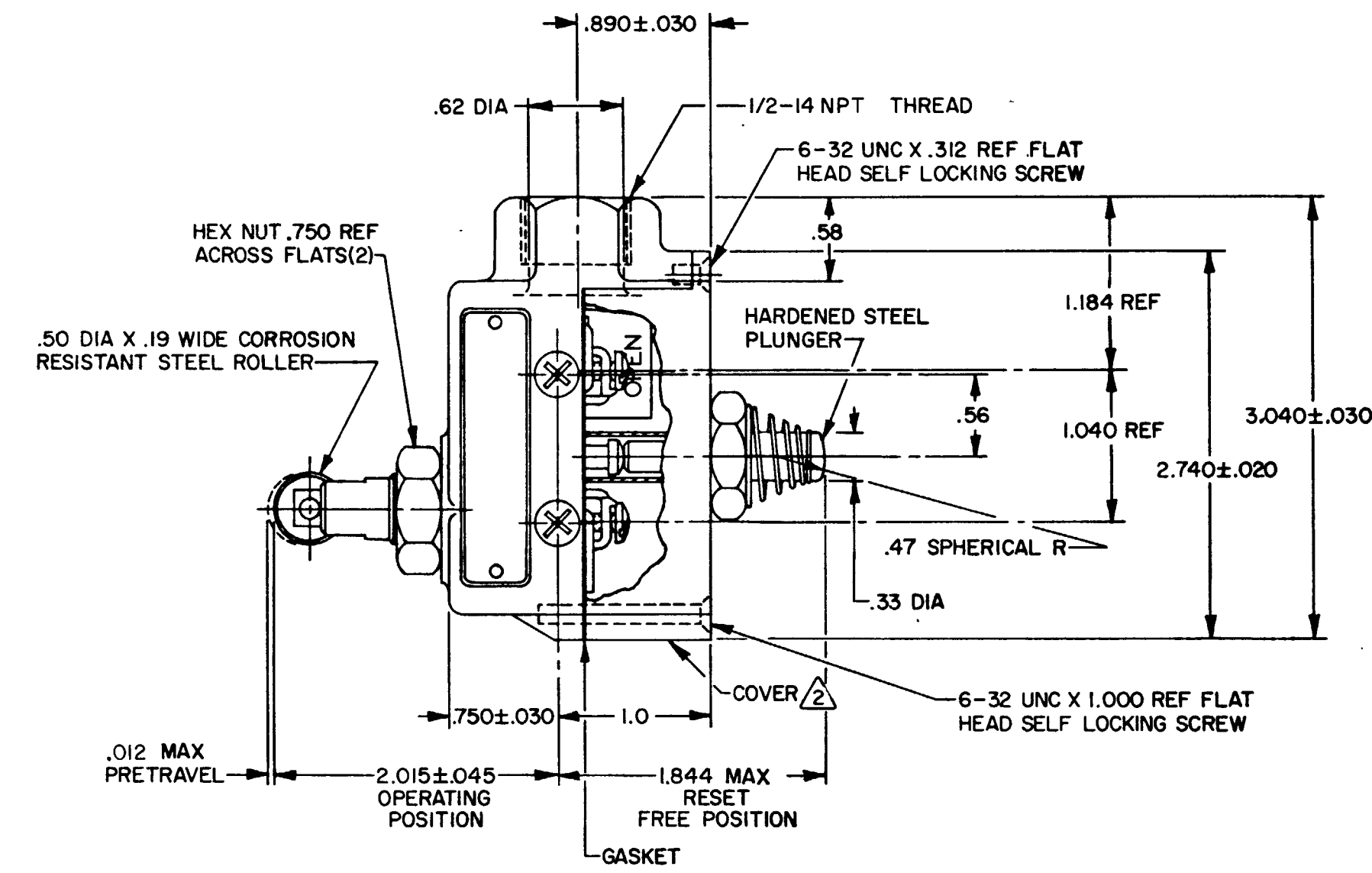
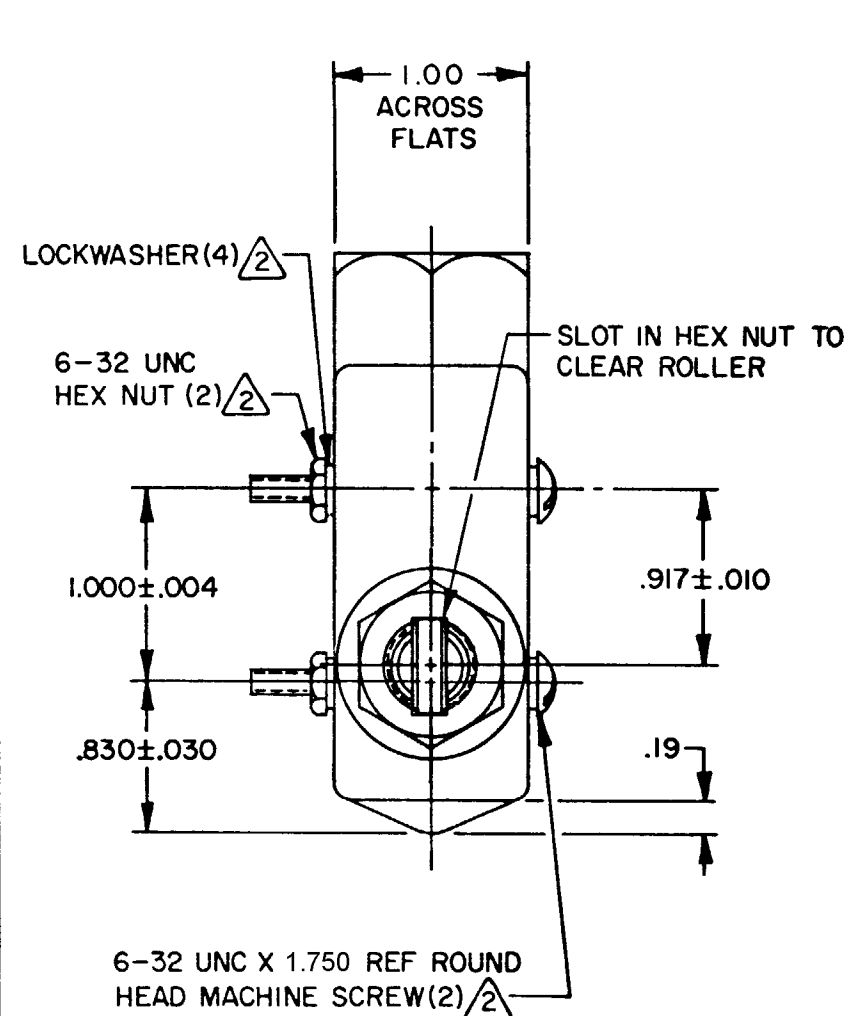
FED. MFG. CODE 91929

**SWITCH - ENCLOSED**

CATALOG LISTING  
**BZE6-RQ8X2**

M

**BZE6-RQ8X2**  
 DRAWING NUMBER  
 29AUG07  
 PSR  
 CHECK  
 ROB  
 K P K  
 29 AUG 77  
 RASTER  
 FO-92851-A  
 DRAWN



**NOTES-**

- 1 - 6-32 UNC X .218 REF BINDING HEAD TERMINAL SCREW (3)
- 2 - FURNISHED UNASSEMBLED
- 3 - SEAL RATING: NEMA 1 IP40

THIS DRAWING COVERS A PROPRIETARY ITEM AND IS THE PROPERTY OF MICRO SWITCH A DIVISION OF HONEYWELL THIS DRAWING IS NOT TO BE COPIED OR USED WITHOUT THE APPROVAL OF MICRO SWITCH.

CHARACTERISTICS	ELECTRICAL DATA	SCALE FULL
OPERATING FORCE ----- 6-9 1/2 OZ	CONTACT ARRANGEMENT S P D T MAINTAINED CONTACT	DO NOT SCALE PRINT
OVERTRAVEL ----- .140 MIN		UNLESS OTHERWISE NOTED
RESET CHARACTERISTICS	CODE L67 15A-125, 250 OR 480 VAC 1/4HP-125 VAC; 1/2HP-250 VAC 1/2A-125 VDC; 1/4A-250 VDC	DIMENSIONS ARE IN INCHES
OPERATING FORCE ----- 8 OZ MIN	1.5A, 240 Vac	<b>TOLERANCES ARE:</b>
BASIC SWITCH REPLACEMENT --- BZ-RQX784		ONE PLACE (.0) ± .030
		TWO PLACE (.00) ± .015
		THREE PLACE (.000) ± .008
		ANGLES ±
		WEIGHT